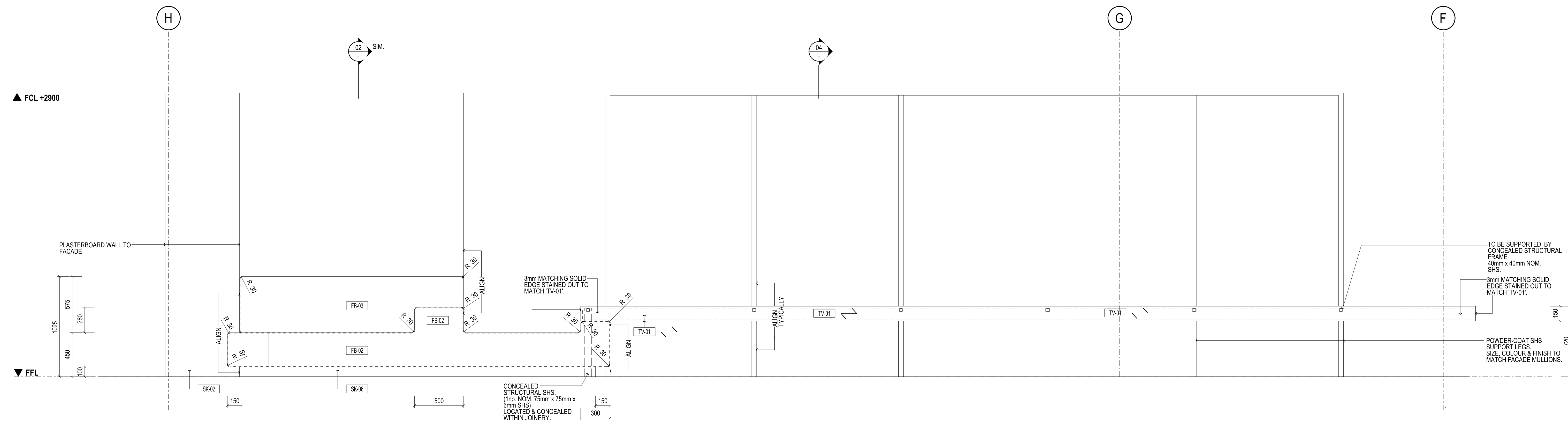
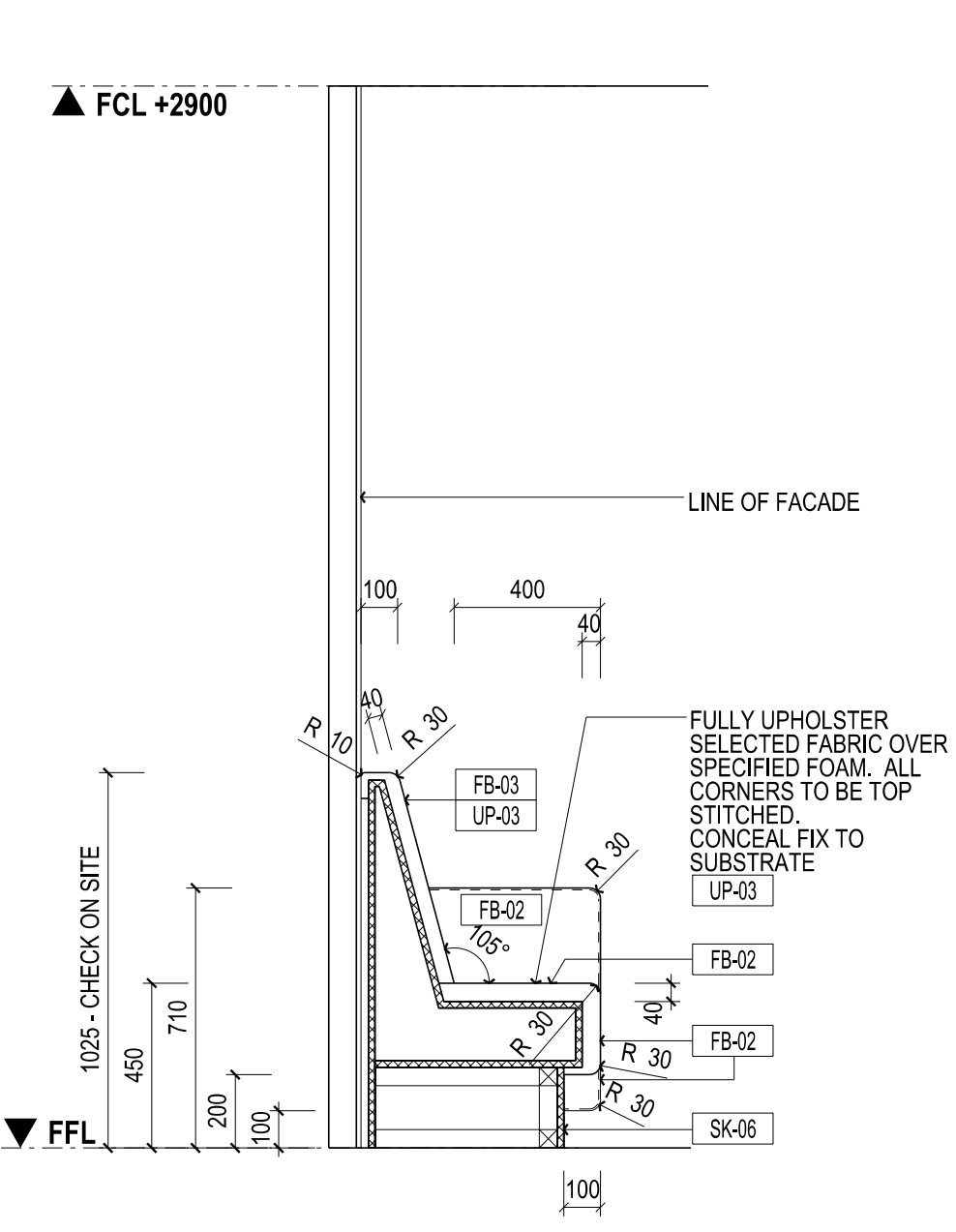


CONTRACTORS SHALL VERIFY JOB DIMENSIONS BEFORE ANY JOB COMMENCES. ALL SHOP DRAWINGS SHALL BE SUBMITTED TO THE SUPERINTENDENT AND MANUFACTURER SHALL NOT COMMENCE FROM THE RETURN OF DRAWINGS UNLESS APPROVED. BY THE CONSULTANT. DIMENSIONS SHALL TAKE PRECEDENCE OVER SCALES. THIS DRAWING SHALL BE READ IN CONJUNCTION WITH ALL RELEVANT CONTRACT SPECIFICATIONS AND DRAWINGS COPYRIGHT OF THIS DRAWING IS VESTED IN WARDLE.

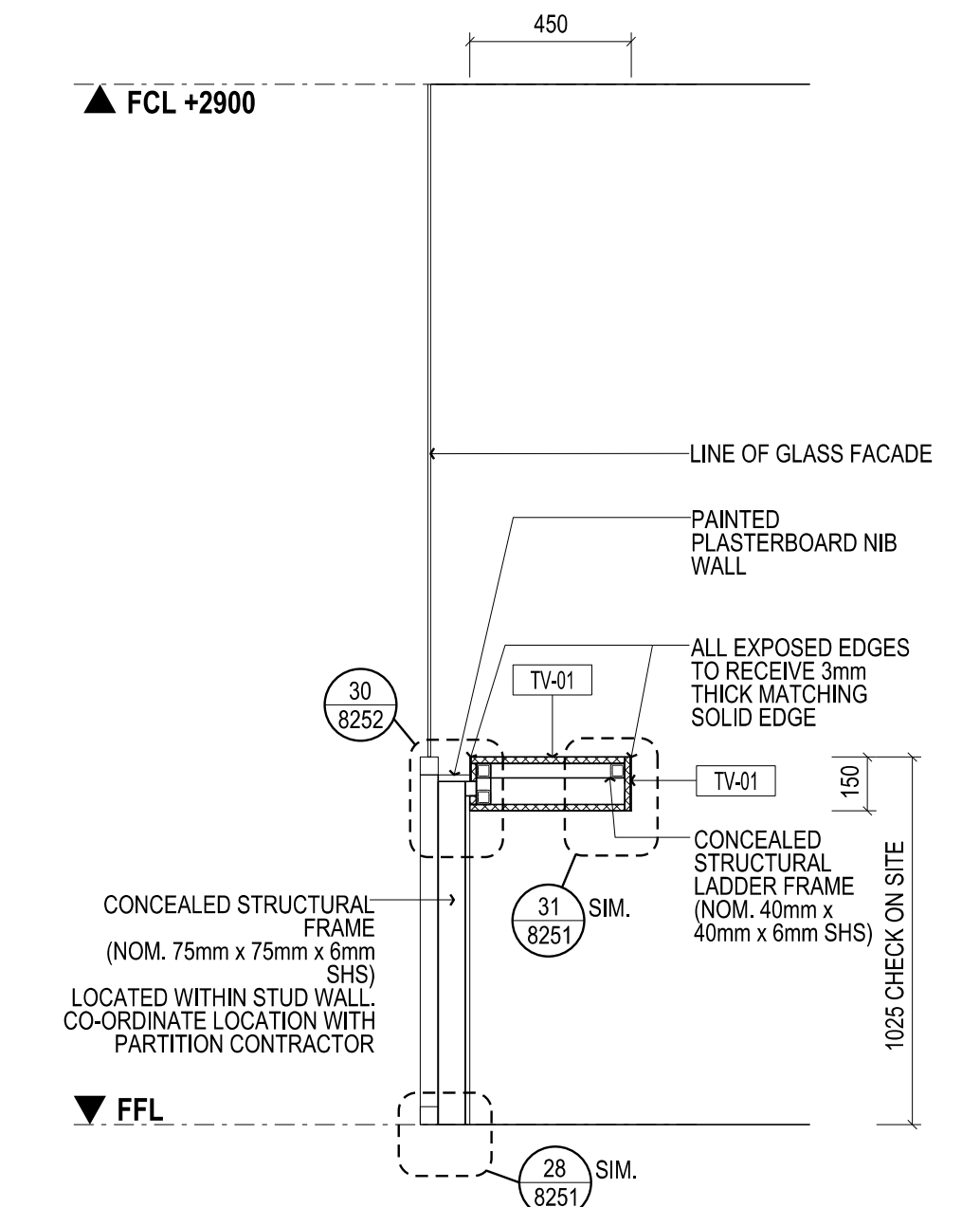
General Notes



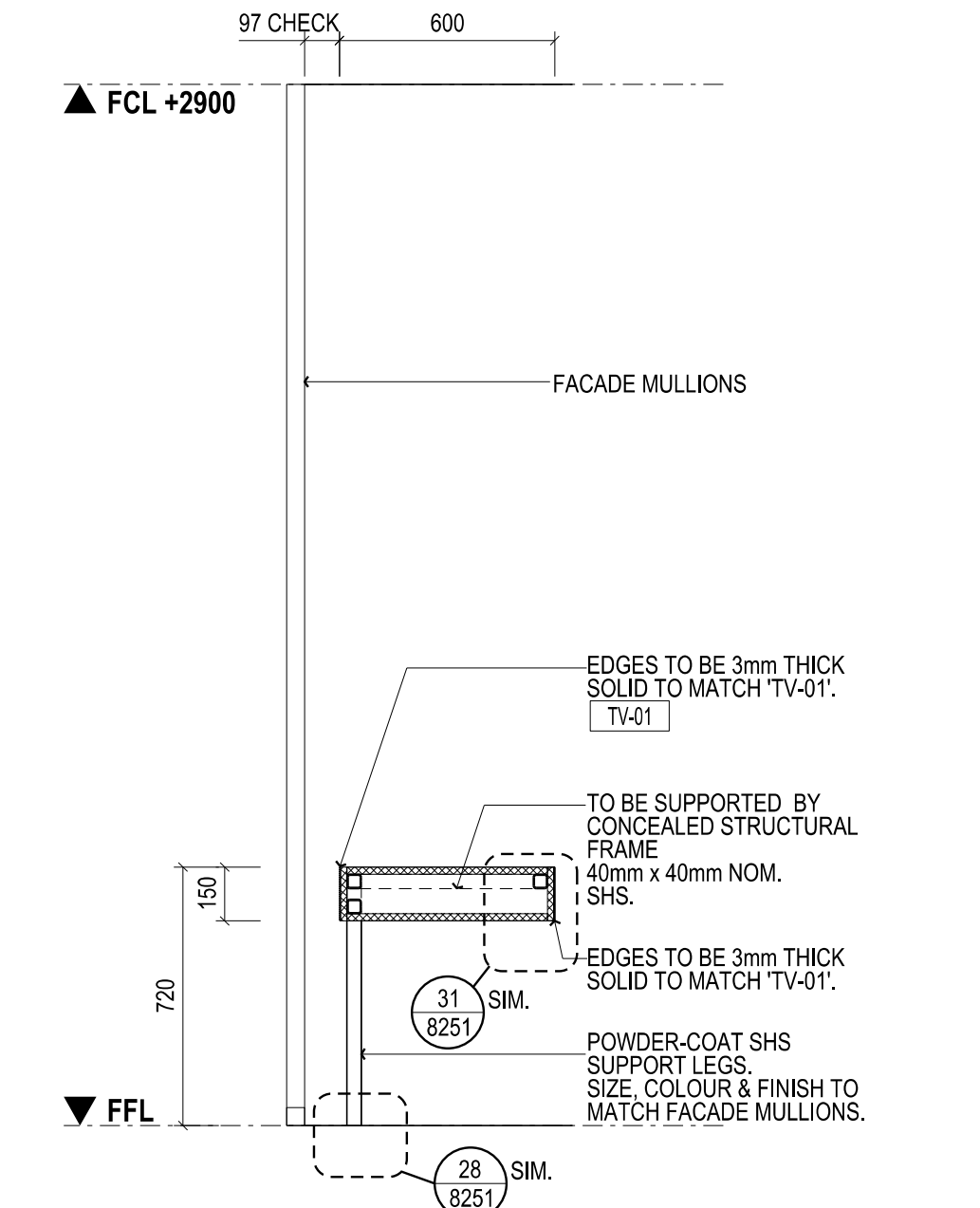
ELEVATION - J04-04B STAFF HUB SCALE 1:20



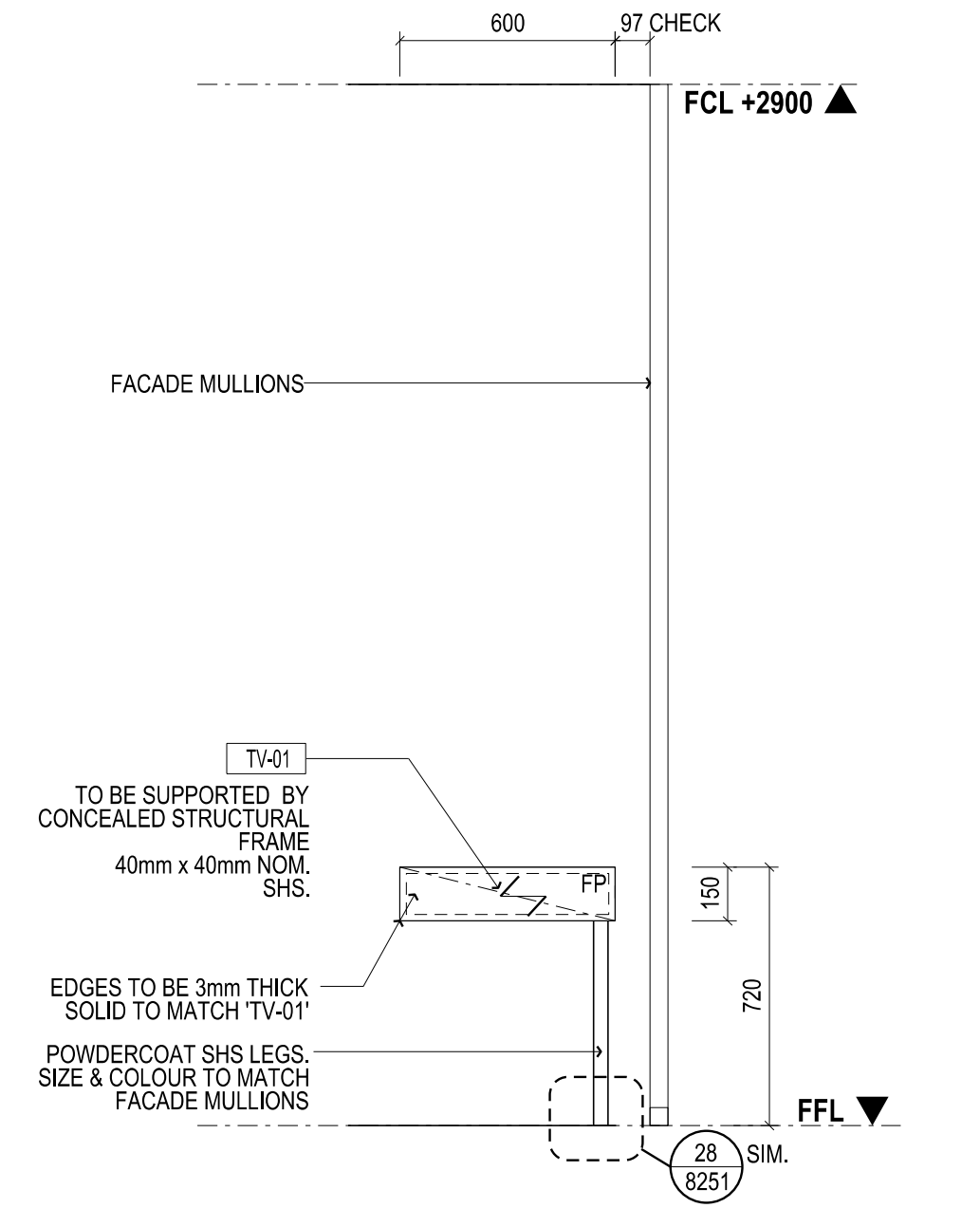
SECTION J04-04 STAFF HUB SCALE 1:20



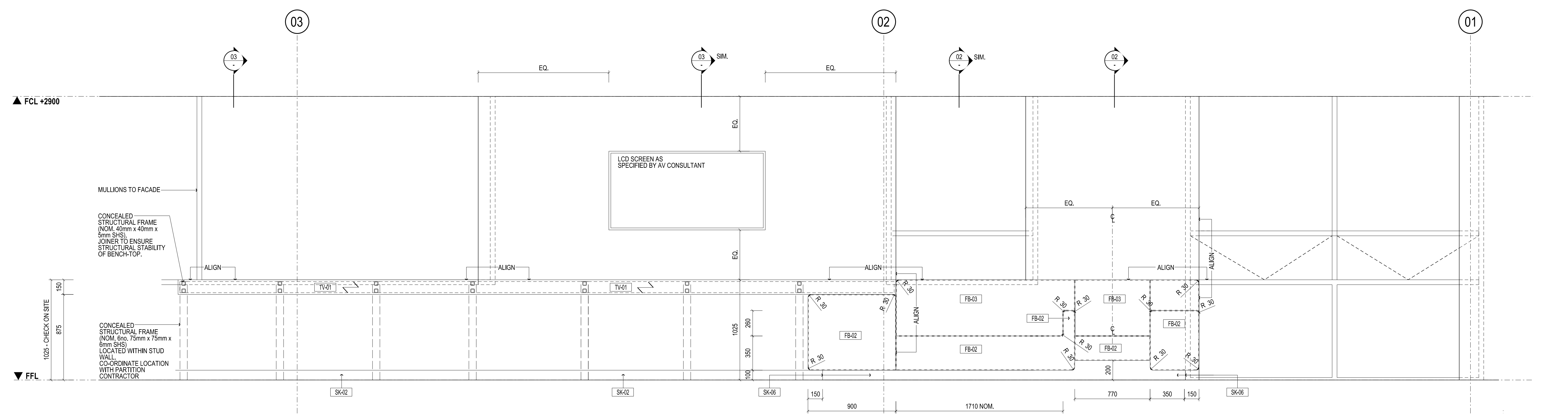
SECTION J04-04A STAFF HUB SCALE 1:20



SECTION J04-04B STAFF HUB SCALE 1:20



ELEVATION J04-04B STAFF HUB SCALE 1:20



ELEVATION - J04-04A STAFF HUB SCALE 1:20

Rev	Issue	Revision Description	And	Date
A	SG	ISSUE FOR CONSTRUCTION	-	20.12.13
02	SG	TENDER ADDENDUM NO. 04	-	08.10.12
01	SG	55% CD ISSUE	-	01.06.12



**NADAAA**

NADAAA  
1520 Washington Street No.2 Boston Massachusetts 02118 USA

Telephone +1 617 442 8232  
Facsimile +1 688 442 1417  
Email nadaa@nadaa.com

**John Wardle Architects**

25 Rokeby Street, Collingwood, Victoria 3066 Australia  
Tel: +61 3 8662 0400 www.johnwardlearchitects.com  
© 2012 John Wardle Architects ABN 83 006 814 268

Client **University of Melbourne Parkville Campus**

Project **Faculty of Architecture Building and Planning**

Title **JOINERY DETAILS**

Project No. <b>0913</b>	Scale 1:20 @ A0 1:40 @ A2
Drawing No. <b>AR8174</b>	Revision <b>A</b>
Date Dec 2011	Dwn KW Co-Ord SG Chk JA

FILENAME - SFILES

**FOR CONSTRUCTION**